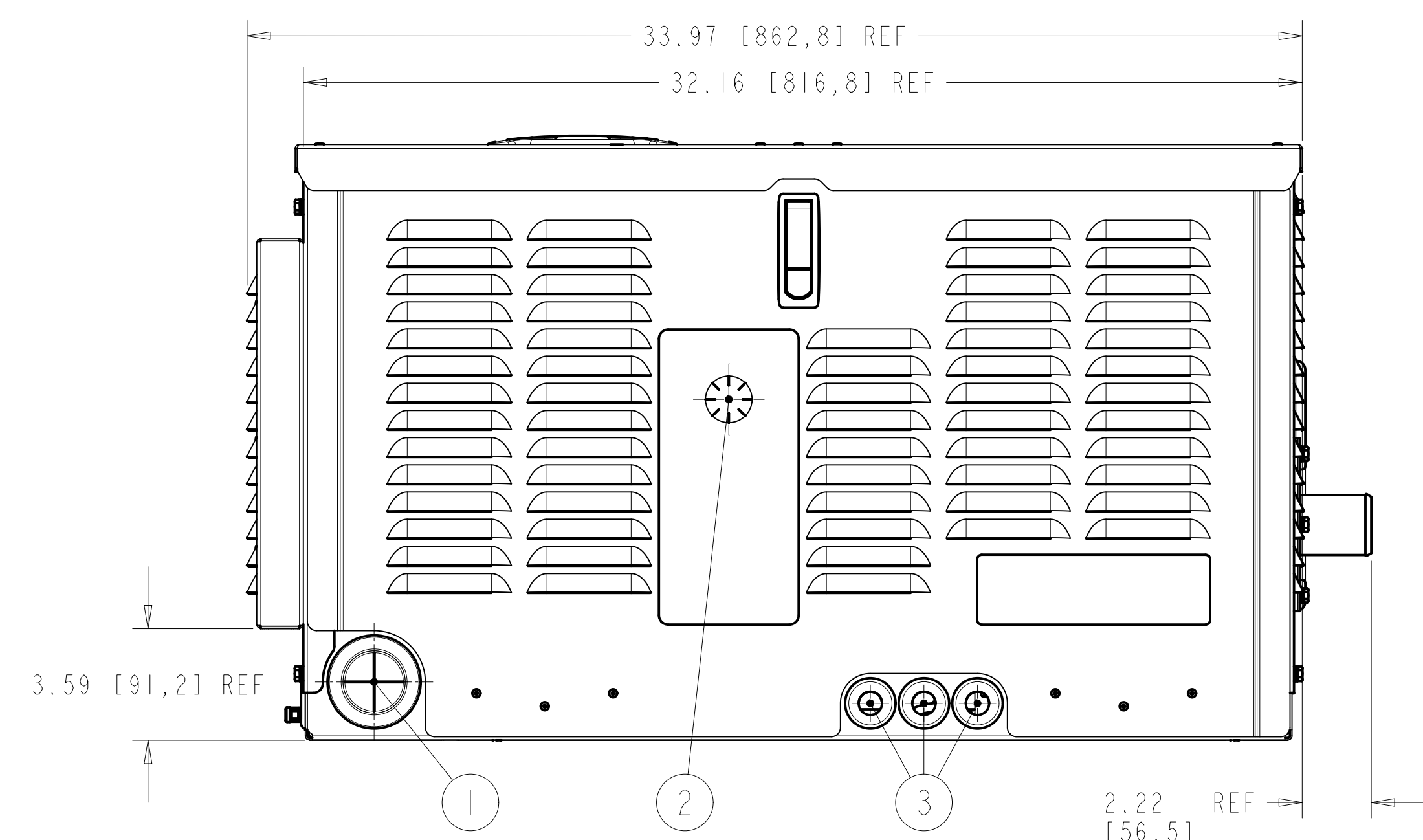
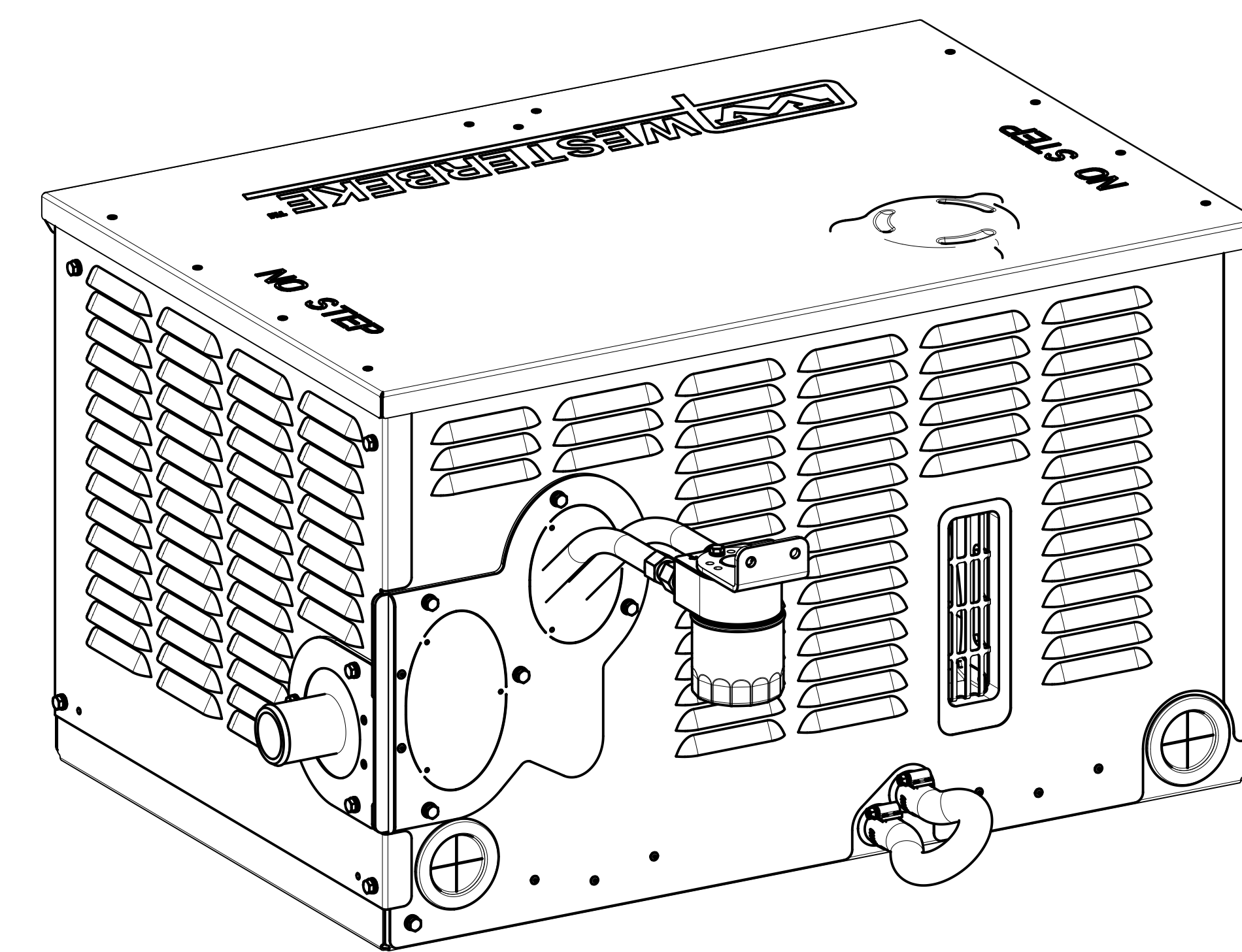
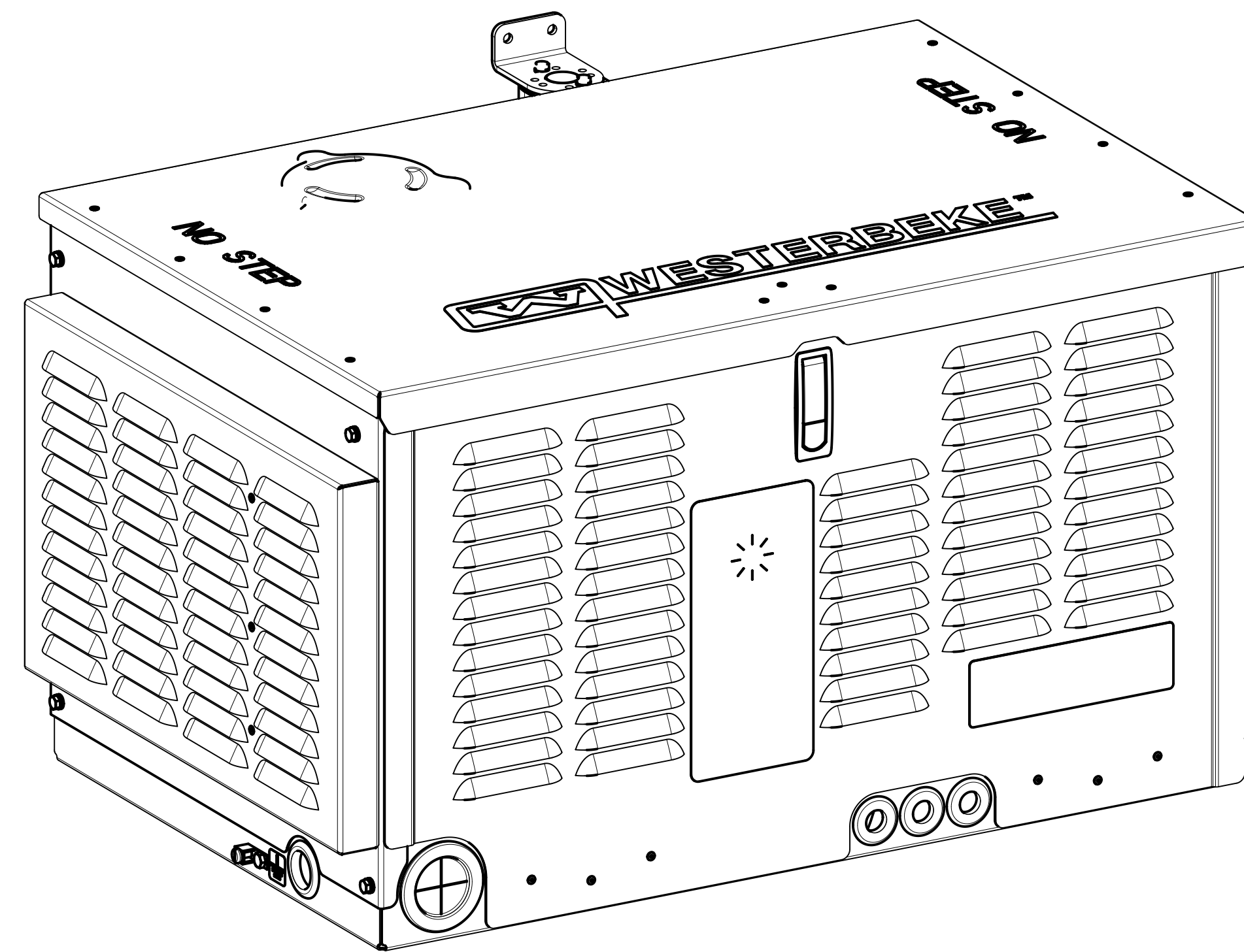
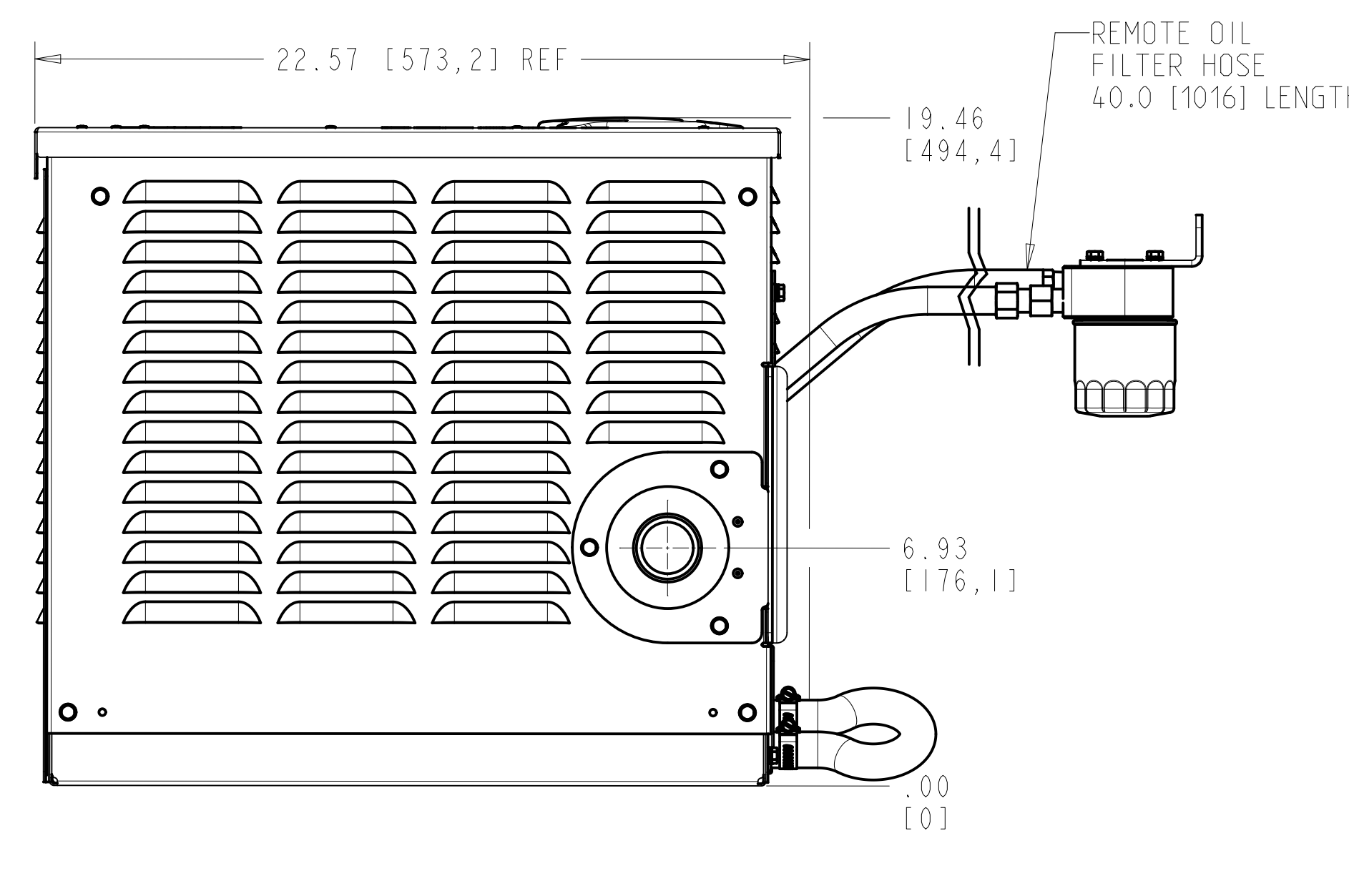


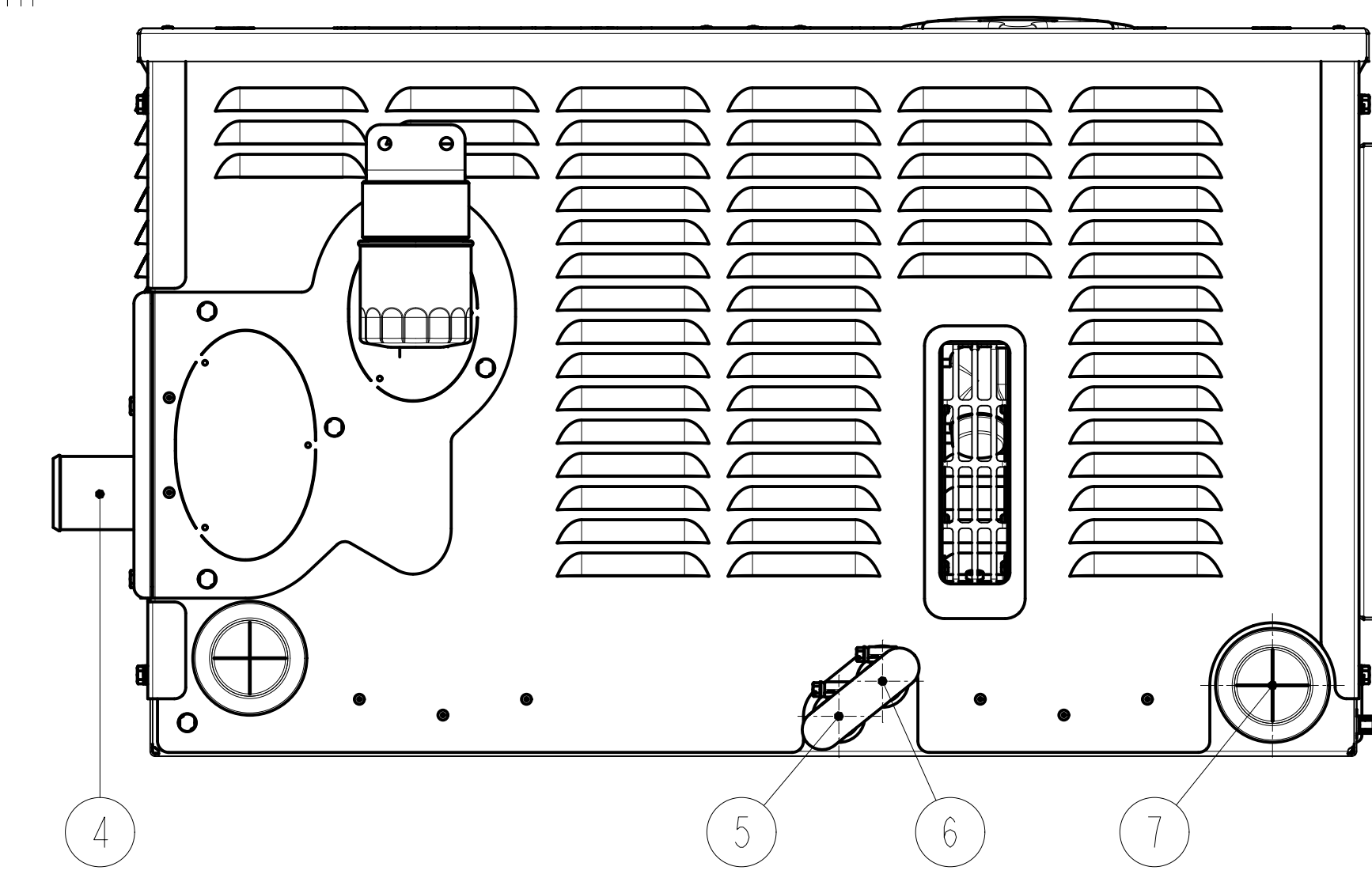
TOP



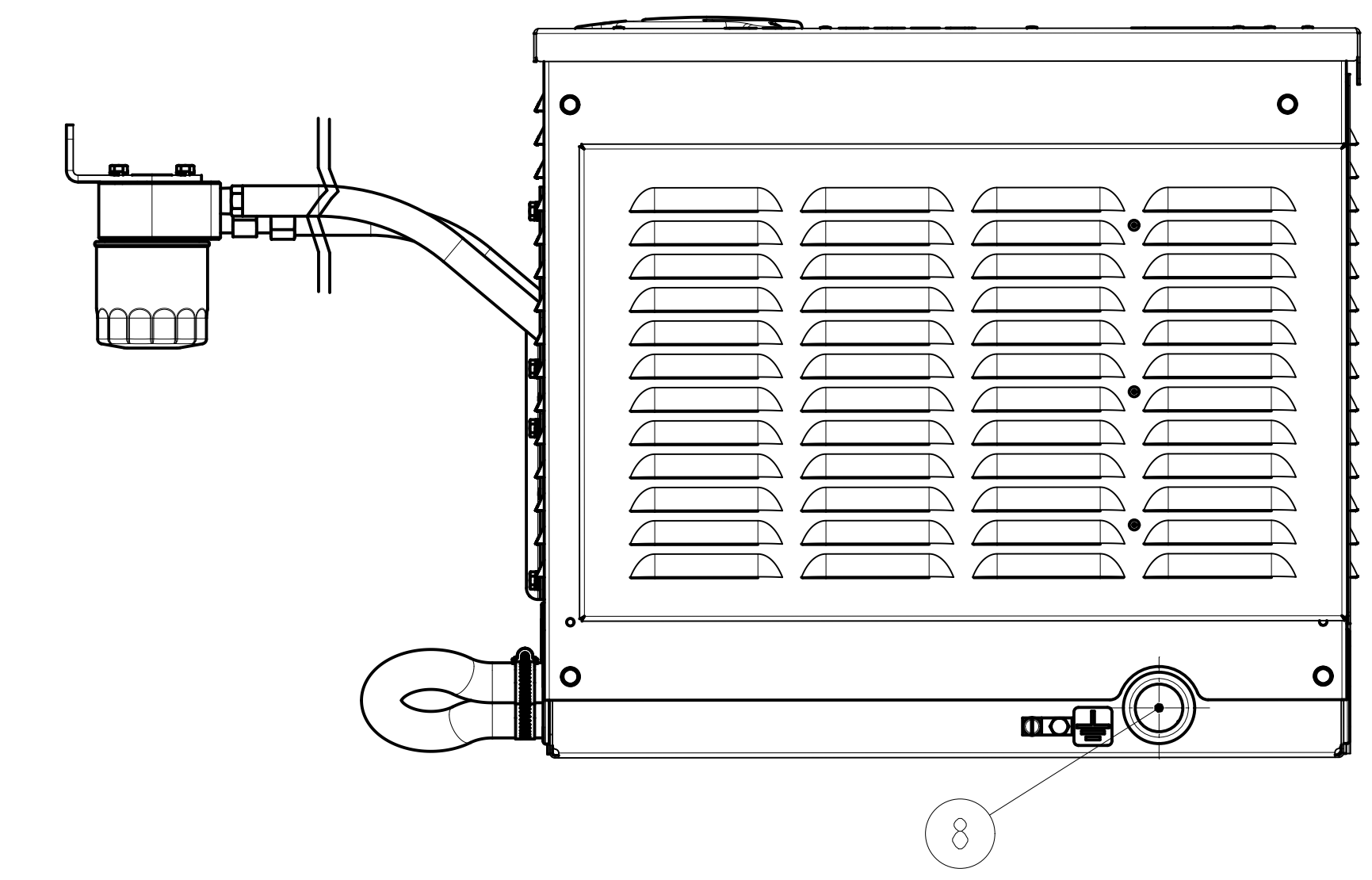
SERVICE SIDE



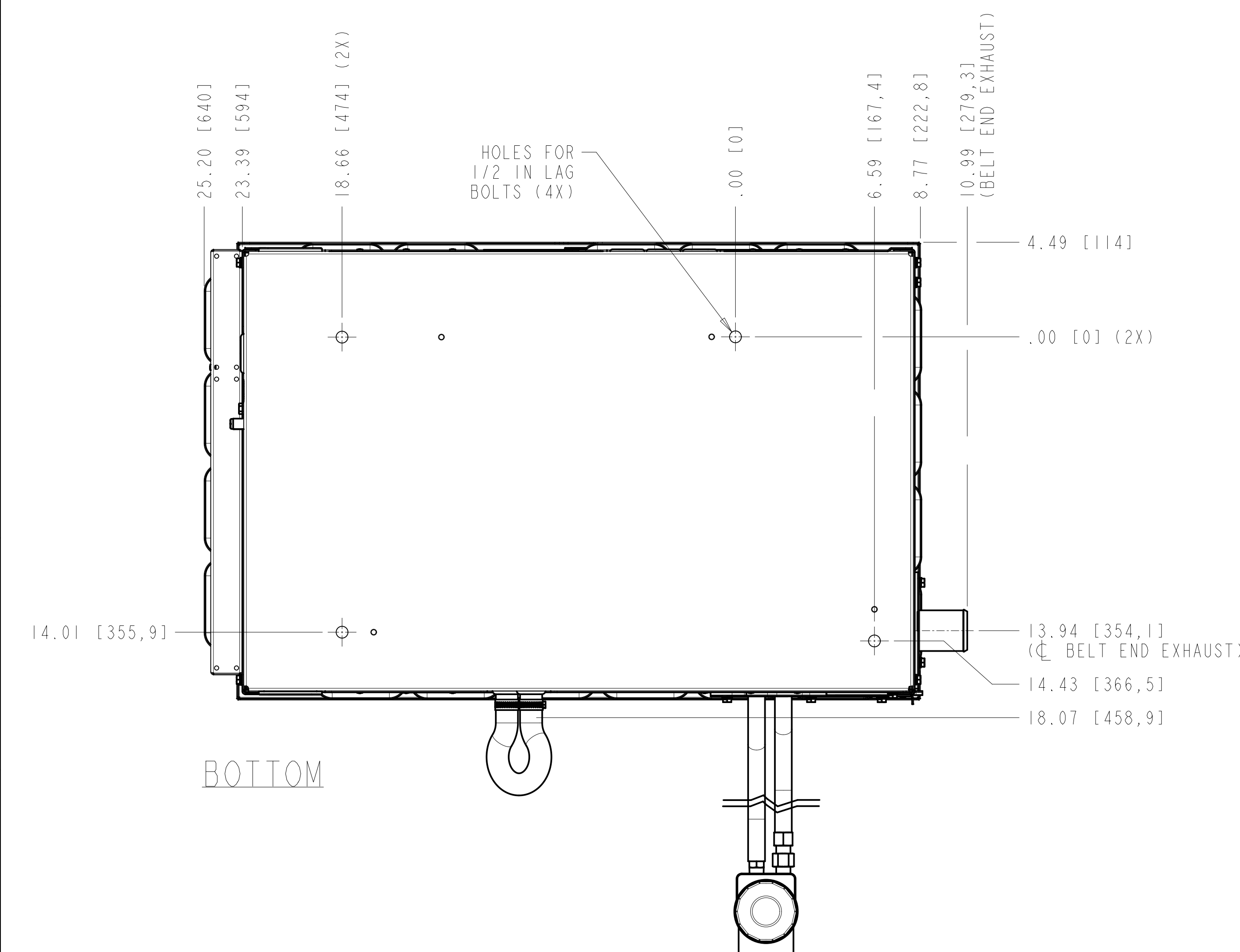
BELT END



NON-SERVICE SIDE

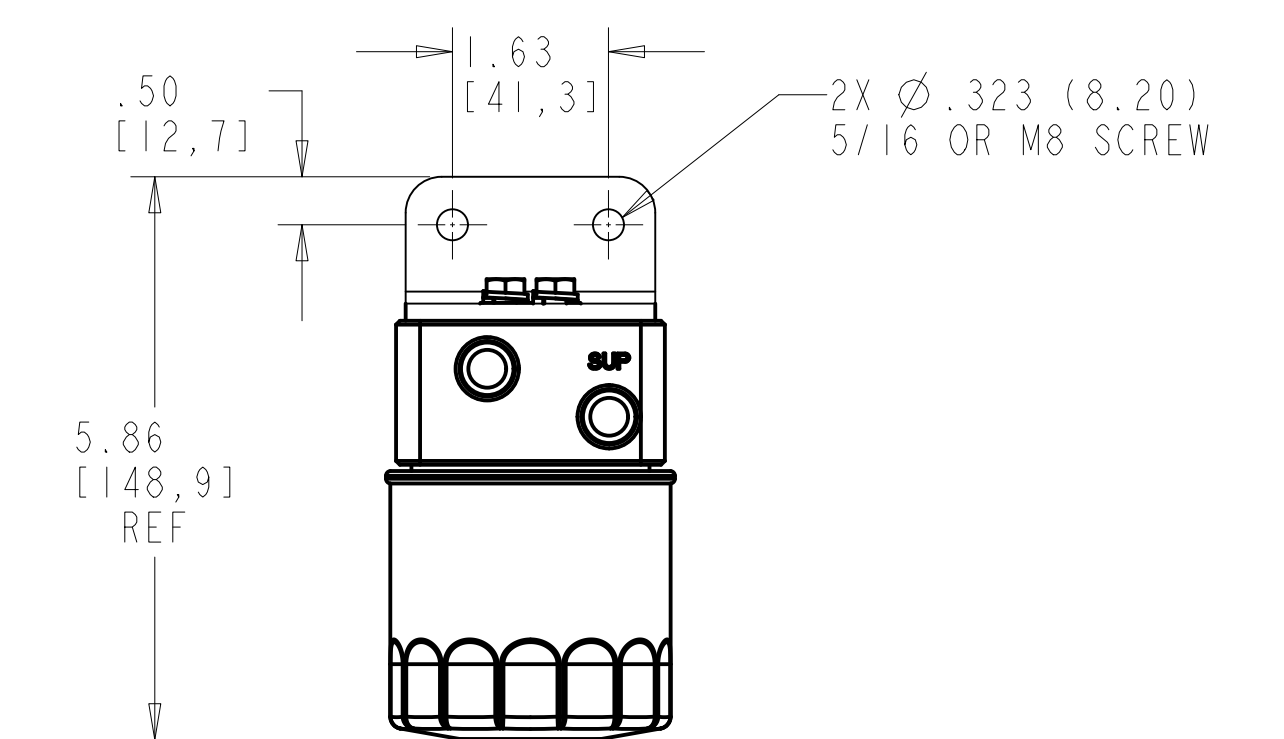


GENERATOR END



BOTTOM

SIDE EXHAUST



REMOTE OIL FILTER MOUNT

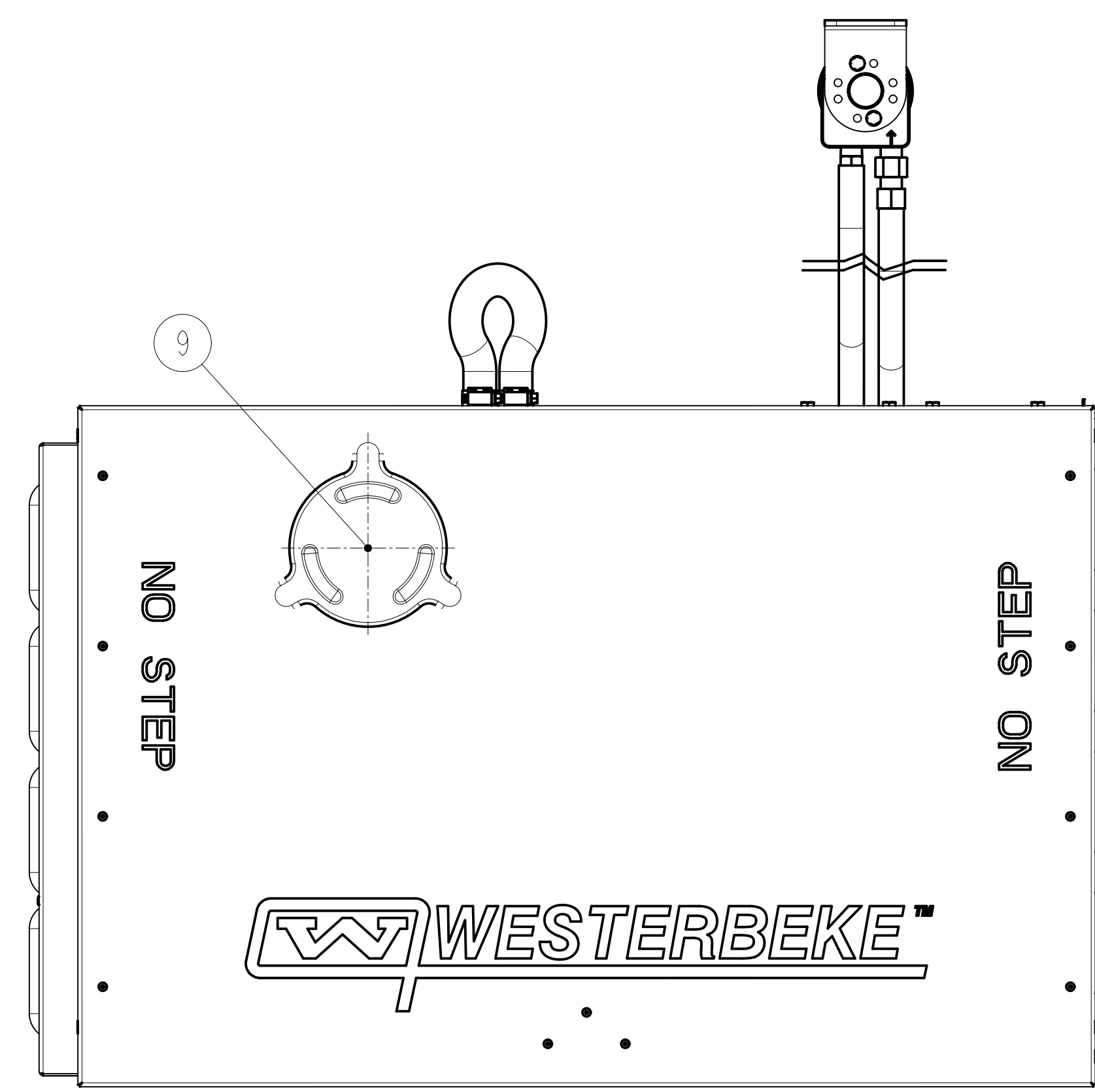
SCALE 0.500

ITEM	CONNECTIONS
1	REMOTE PANEL CABLE PASS-THROUGH FIRE BOY CABLE PASS-THROUGH
2	FIRE EXTINGUISHER PORT
3	BATTERY (NEG) CABLE PASS-THROUGH BATTERY (POS) CABLE PASS-THROUGH FUEL LINE PASS-THROUGH, REQUIRES 1/8-27 NPT MALE TO CONNECT TO GENSET INTERNALLY
4	WET EXHAUST, REQUIRES 2 IN ID HOSE TO CONNECT
5	RAW WATER OUTLET (TO SIPHON BREAK), REQUIRES 3/4 IN ID HOSE TO CONNECT
6	RAW WATER INLET (FROM SIPHON BREAK), REQUIRES 3/4 IN ID HOSE TO CONNECT
7	AC POWER CABLE PASS-THROUGH COOLANT OVERFLOW PASS-THROUGH, REQUIRES 5/16 IN ID HOSE TO CONNECT TO GENSET INTERNALLY
8	RAW WATER INLET PASS-THROUGH, REQUIRES 3/4 IN ID HOSE TO CONNECT TO GENSET INTERNALLY
9	ACCESS TO A/C CIRCUIT BREAKER

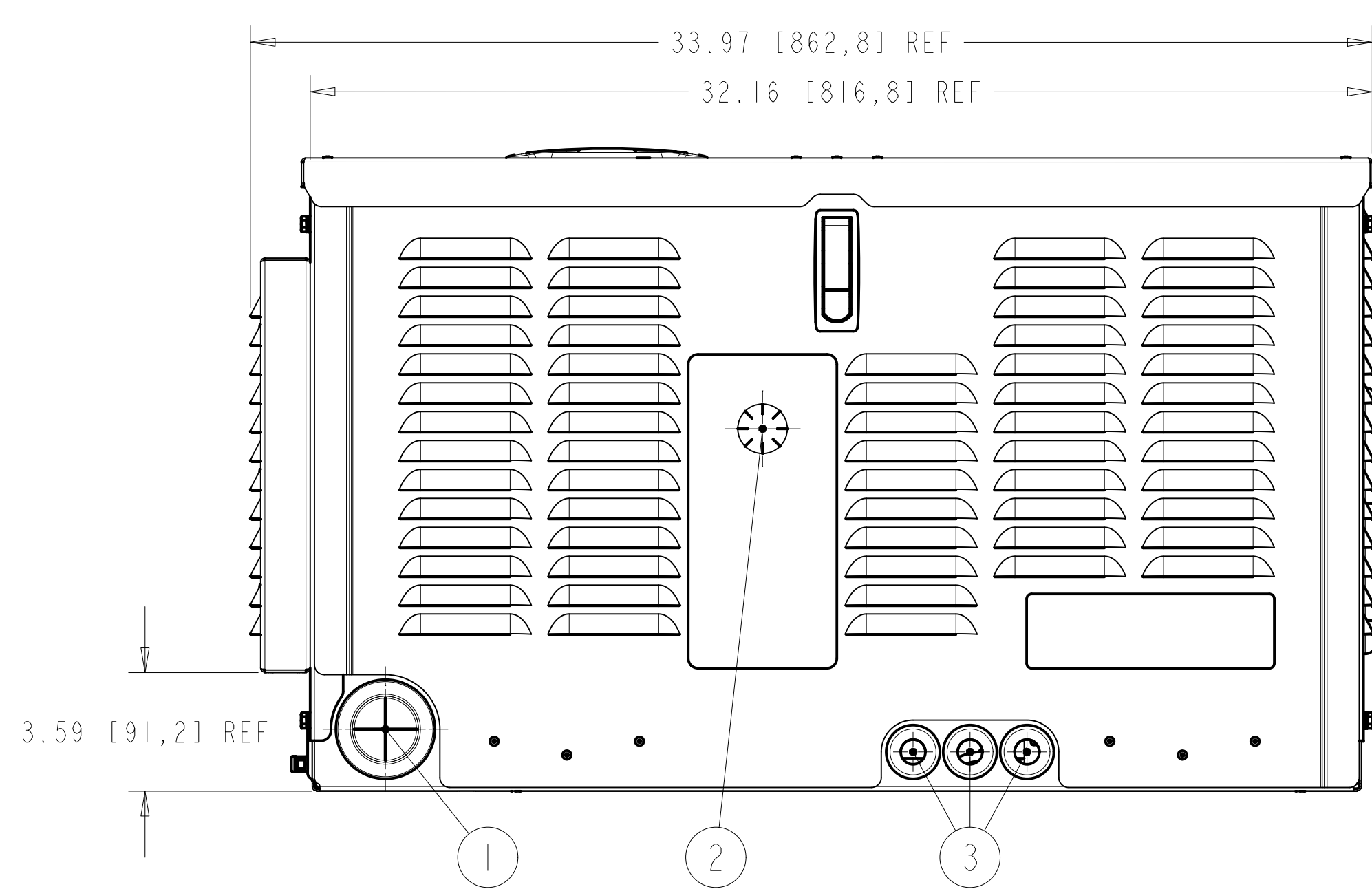
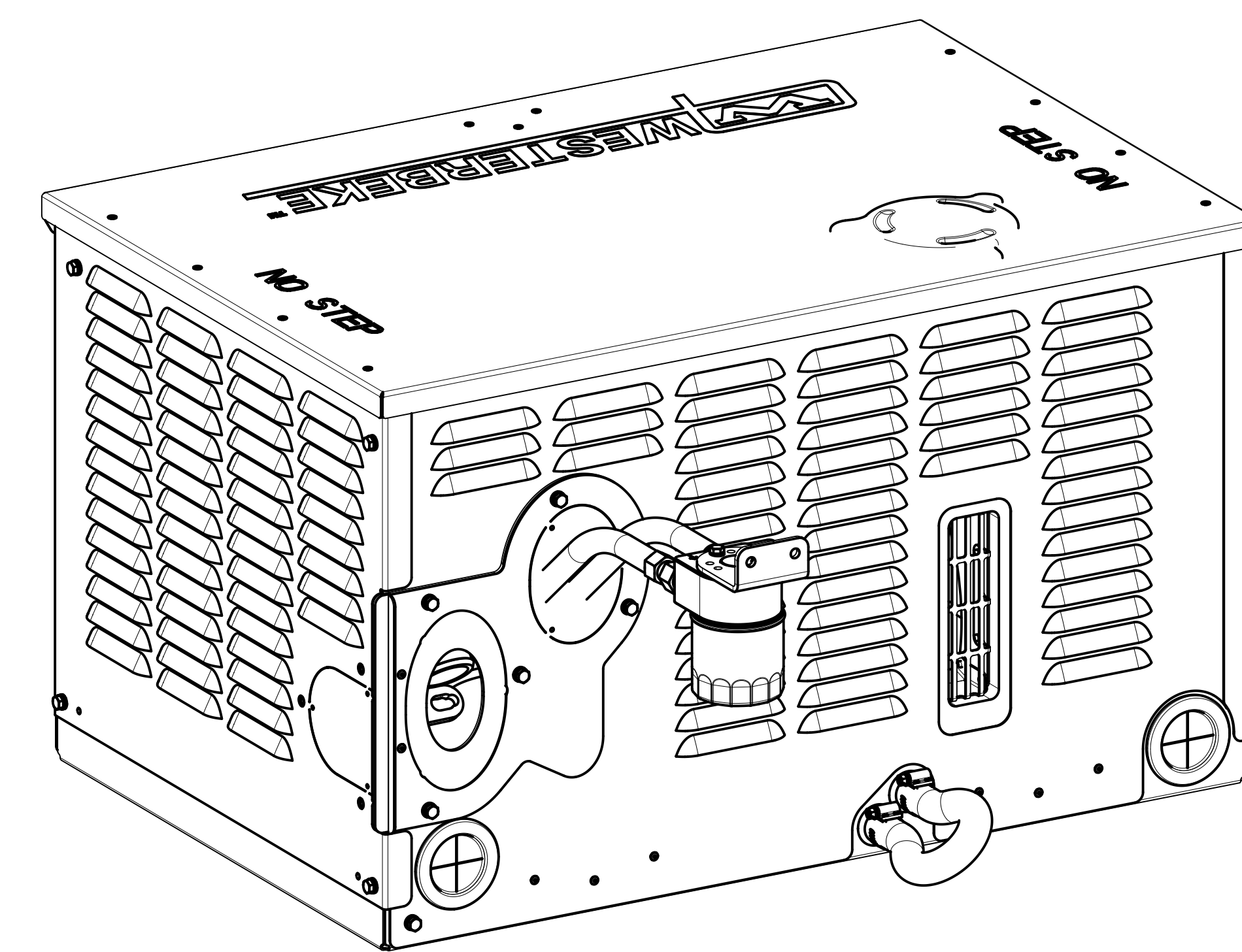
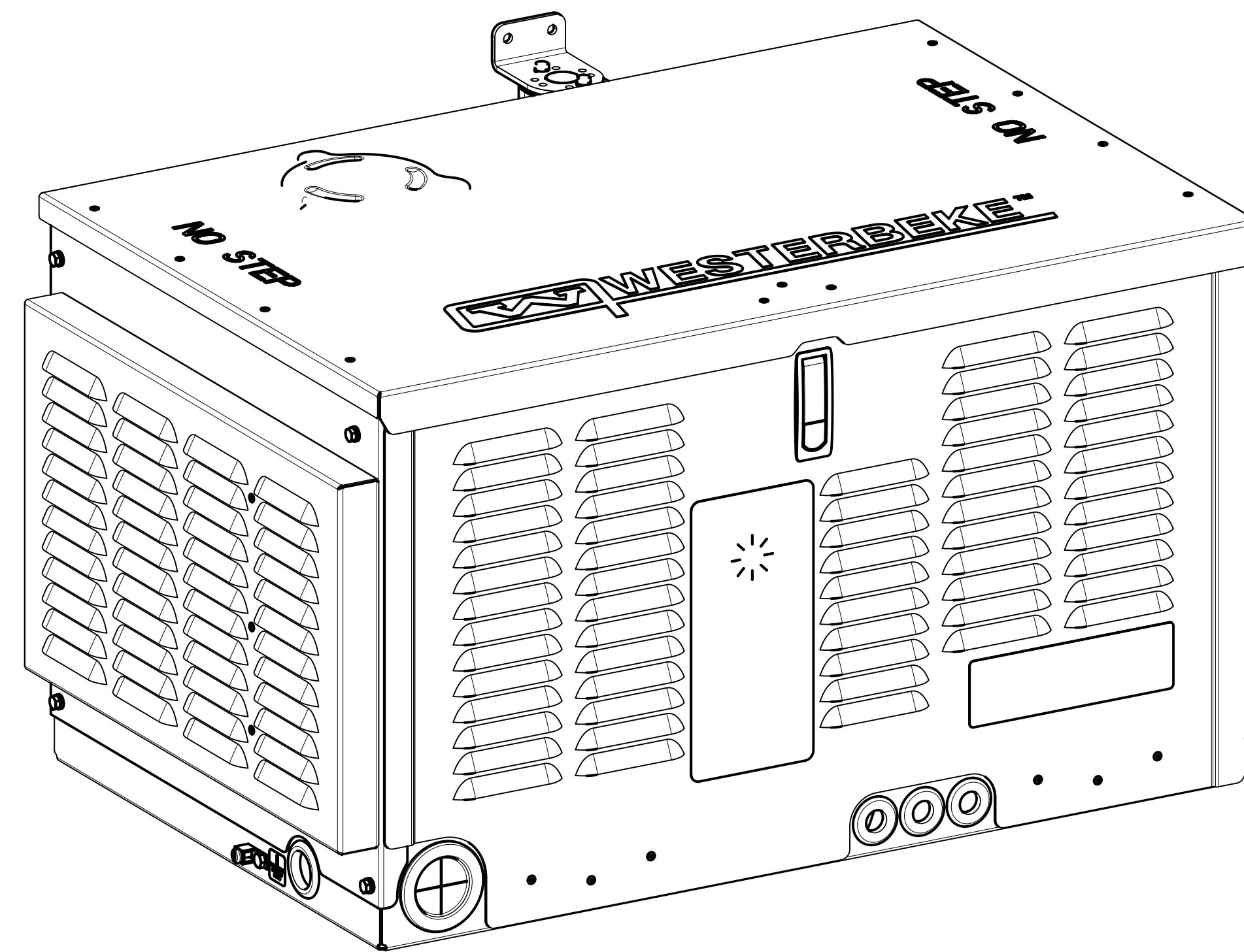
NOTES (UNLESS OTHERWISE SPECIFIED)
1. UNIT OF DIMENSIONS: INCH [MM]
2. TOLERANCE: ±.375 [9.5]

TOLERANCES UNLESS OTHERWISE SPECIFIED DIMENSIONS (INCHES)		WESTERBEKE Engines & Generators	
INCHES	MILLIMETERS	TITLE	150 JOHN HANCOCK RD. FAIRHAVEN, MA 01924 (508) 853-1931
1/4 & 3/4	6 & 25.4	DGINSTALL 9.5/7.6 MGA VENC	
1/8 & 5/8	3 & 12.7	DRAWN BY:	DATE CREATED:
1/16 & 7/8	1.5 & 19.0	EP	03/13/2024
SUBJECT TO WESTERBEKE T&C	SEE DRAWING	APPROVED BY:	DATE:
SCALE 0.250	SHEET 2 OF 2	DRAWING NUMBER	REV.
		E	58219

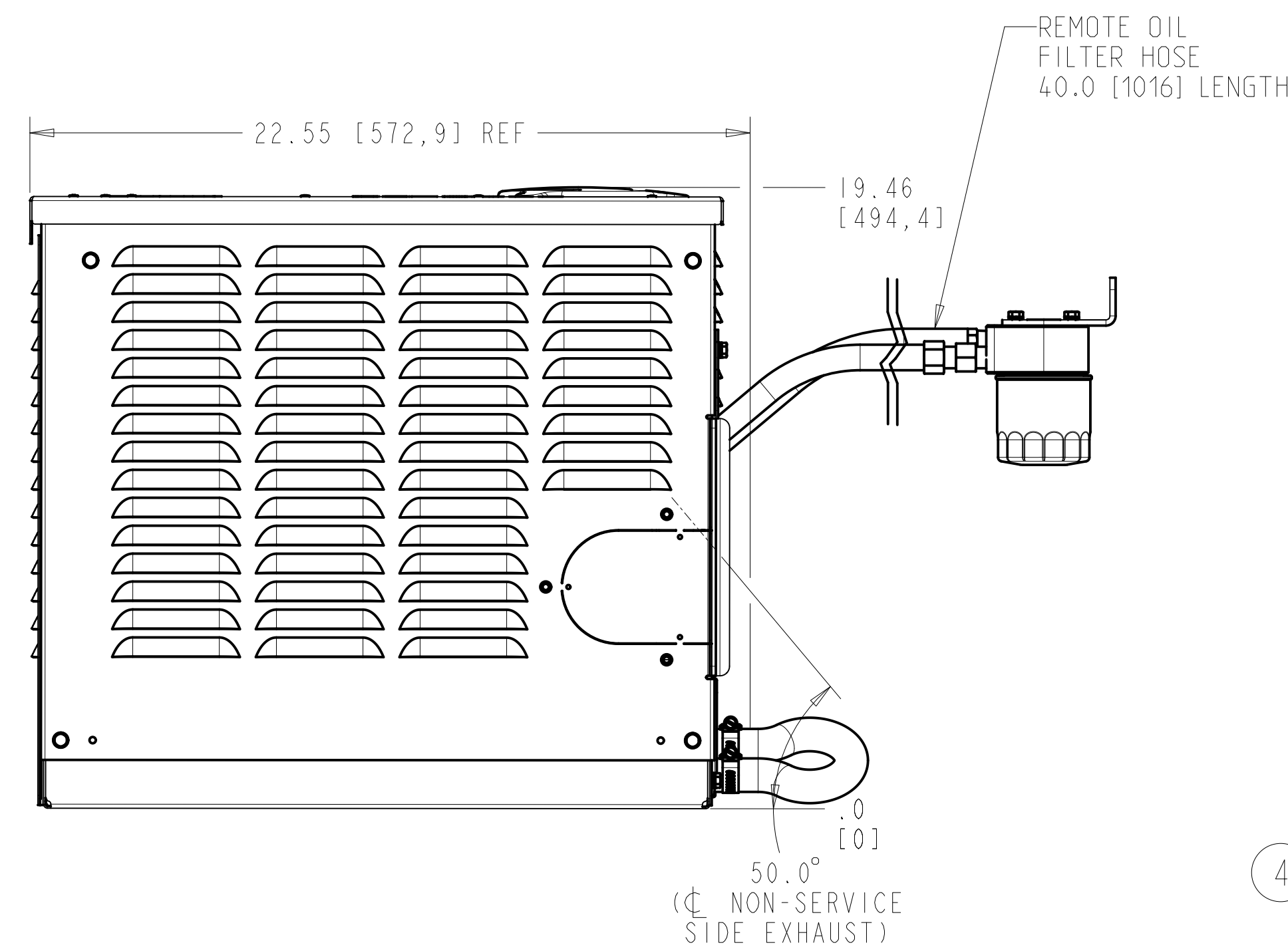
THIS DRAWING IS PROPRIETARY TO WESTERBEKE CORP. AND MAY NOT BE REPRODUCED OR TRANSMITTED IN ANY FORM OR BY ANY MEANS, ELECTRONIC OR MECHANICAL, WITHOUT EXPRESS WRITTEN PERMISSION.



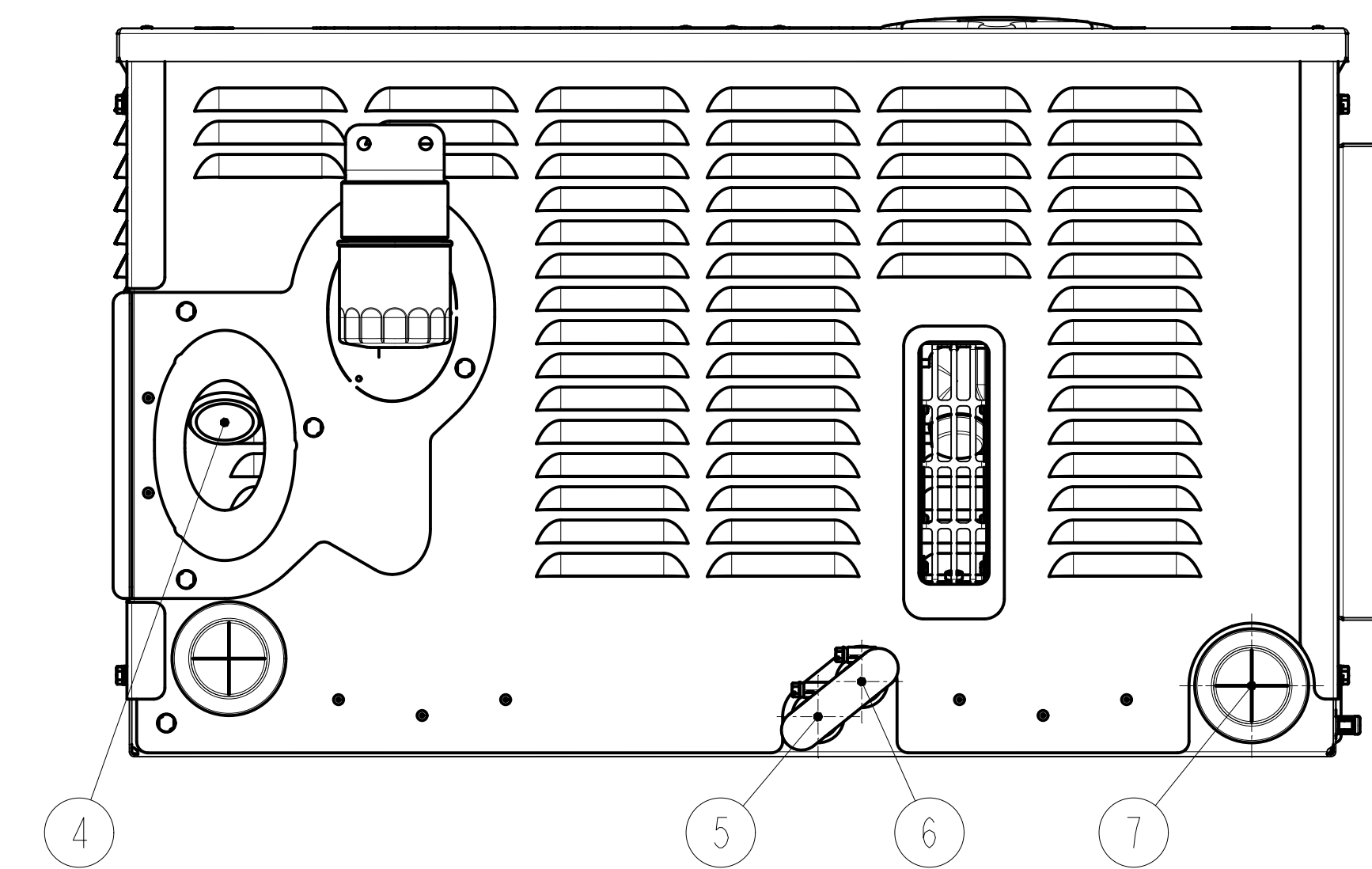
TOP



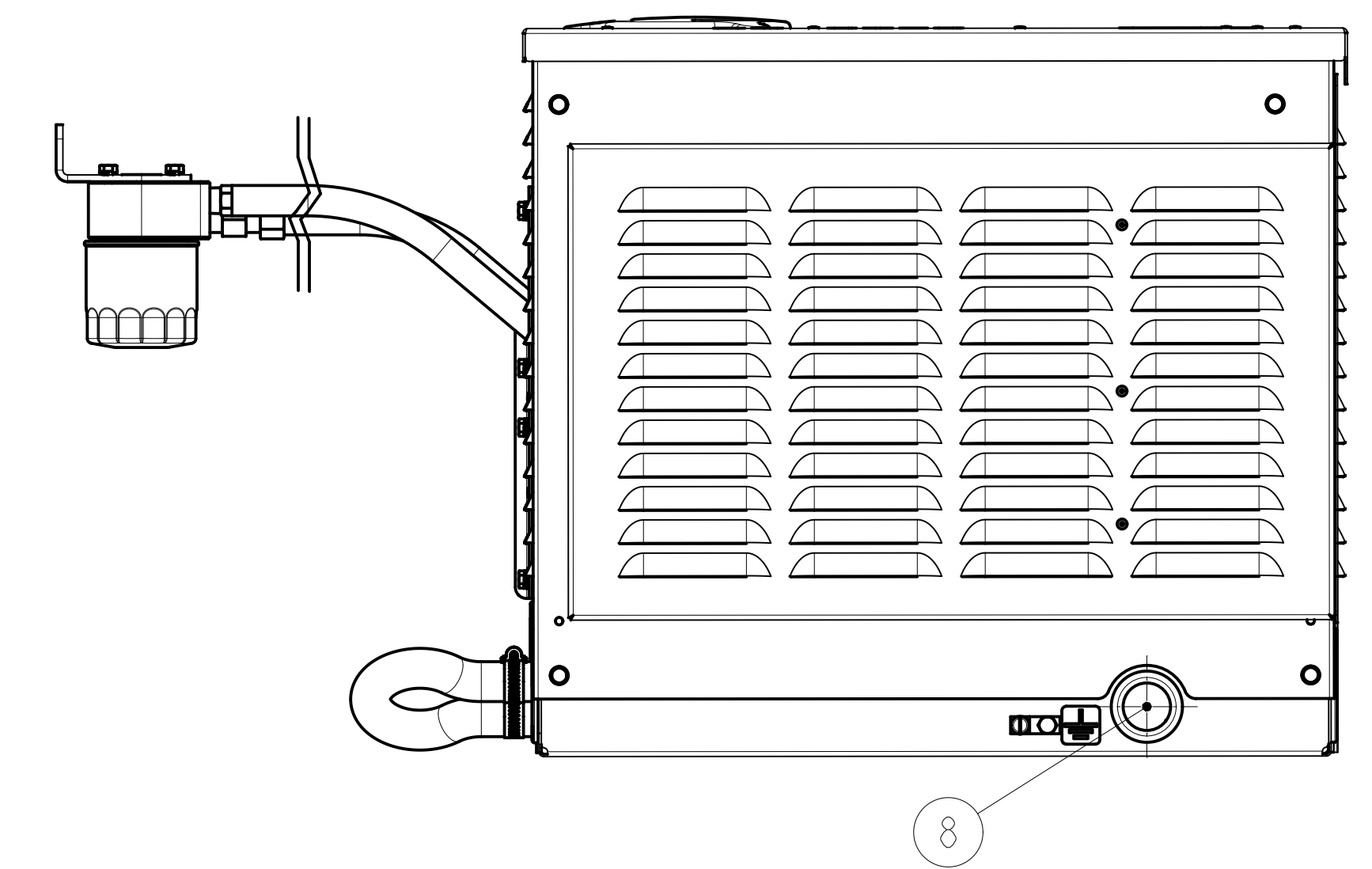
SERVICE SIDE



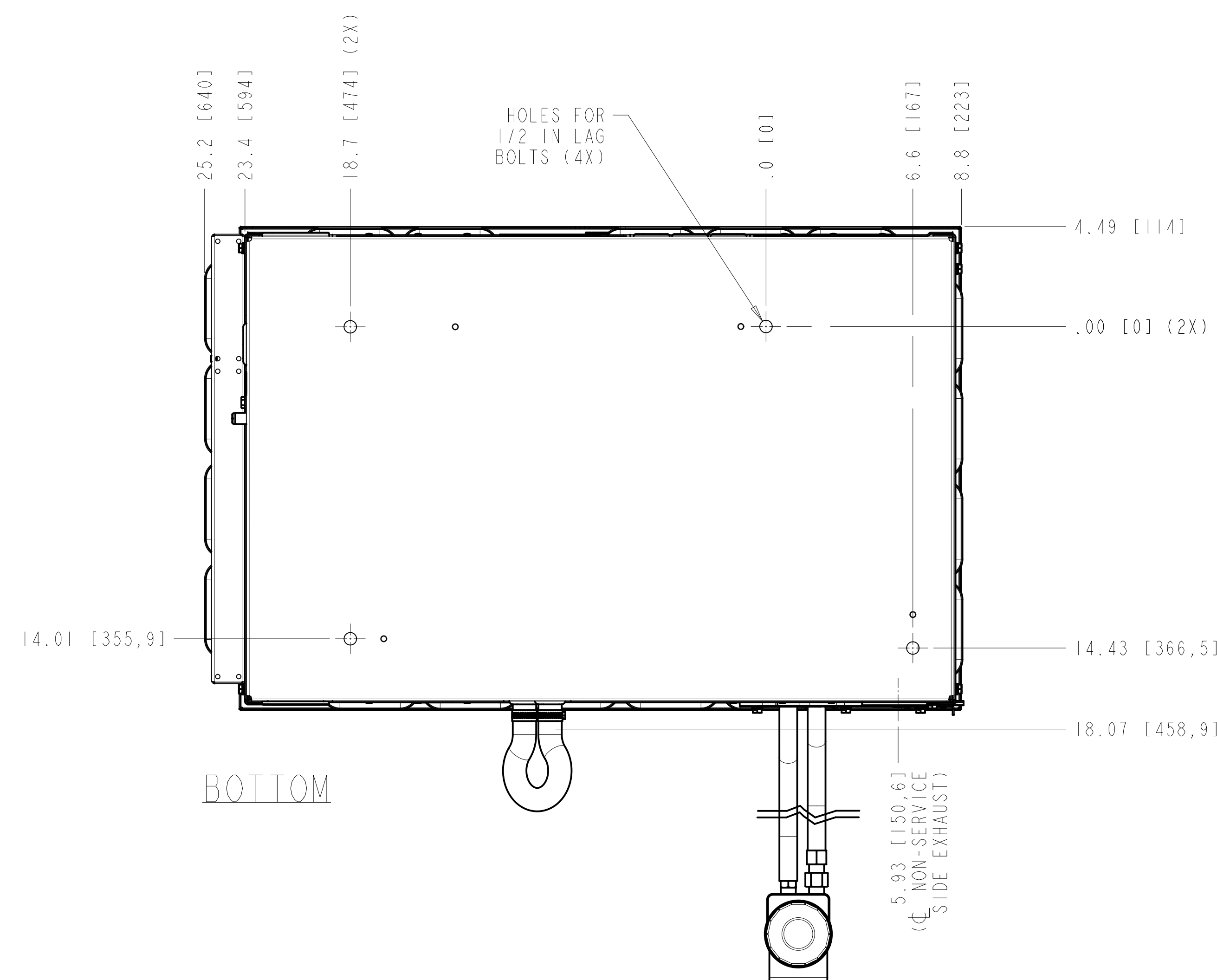
BELT END



NON-SERVICE SIDE



GENERATOR END



BOTTOM

REAR EXHAUST

ITEM	CONNECTIONS
1	REMOTE PANEL CABLE PASS-THROUGH FIRE BOY CABLE PASS-THROUGH
2	FIRE EXTINGUISHER PORT
3	BATTERY (NEG) CABLE PASS-THROUGH BATTERY (POS) CABLE PASS-THROUGH FUEL LINE PASS-THROUGH, REQUIRES 1/8-27 NPT MALE TO CONNECT TO GENSET INTERNALLY
4	WET EXHAUST, REQUIRES 2 IN ID HOSE TO CONNECT
5	RAW WATER OUTLET (TO SIPHON BREAK), REQUIRES 3/4 IN ID HOSE TO CONNECT
6	RAW WATER INLET (FROM SIPHON BREAK), REQUIRES 3/4 IN ID HOSE TO CONNECT
7	AC POWER CABLE PASS-THROUGH COOLANT OVERFLOW PASS-THROUGH, REQUIRES 5/16 IN ID HOSE TO CONNECT TO GENSET INTERNALLY
8	RAW WATER INLET PASS-THROUGH, REQUIRES 3/4 IN ID HOSE TO CONNECT TO GENSET INTERNALLY
9	ACCESS TO A/C CIRCUIT BREAKER

NOTES (UNLESS OTHERWISE SPECIFIED)
1. UNIT OF DIMENSIONS: INCH [MM]
2. TOLERANCE: ±.375 [9.5]

TOLERANCES UNLESS OTHERWISE SPECIFIED DIMENSIONS IN INCHES (MILLIMETERS)			
INCHES	MILLIMETERS	TITLE: DGINSTALL 9.5/7.6 MGA VENCIL DATE CREATED: 03/13/2024 MATERIAL:	
±.0005	±.0127	APPROVED BY: E	SCALE: 0.250
±.0010	±.0254	DATE: 03/13/2024	SHEET: 2 OF 2
±.0015	±.0381	DRAWING NUMBER: 58219	REV: -
±.0020	±.0508	THIS DRAWING IS PROPRIETARY TO WESTERBEKE CORP. AND MAY NOT BE REPRODUCED OR TRANSMITTED IN ANY FORM OR BY ANY MEANS, ELECTRONIC OR MECHANICAL, WITHOUT EXPRESS WRITTEN PERMISSION.	